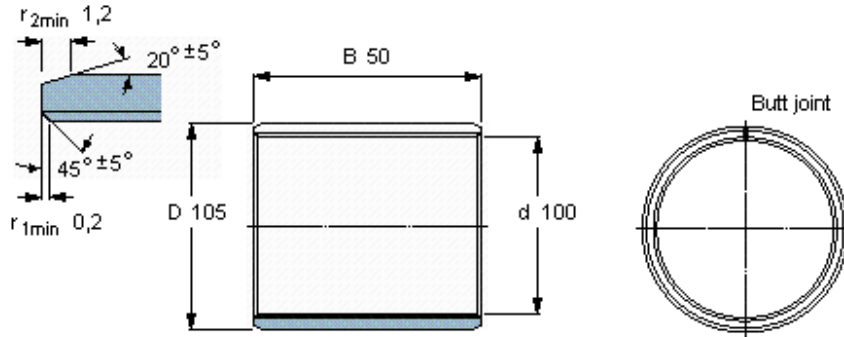


Composite dry sliding bushings, metric dimensions

Principal dimensions			Basic load ratings		Mass	Designation
d	D	B	dynamic C	static C0	kg	-
mm			kN			
100	105	50	390	1220	0,31	PCM 10010550 E



Specific load factor K 80
Material constant $K_M 480$